

SEMIN

The future is being built.

Fire-rated
access
panels

PV FEU
CSTB











The future is being built.







SEMIN

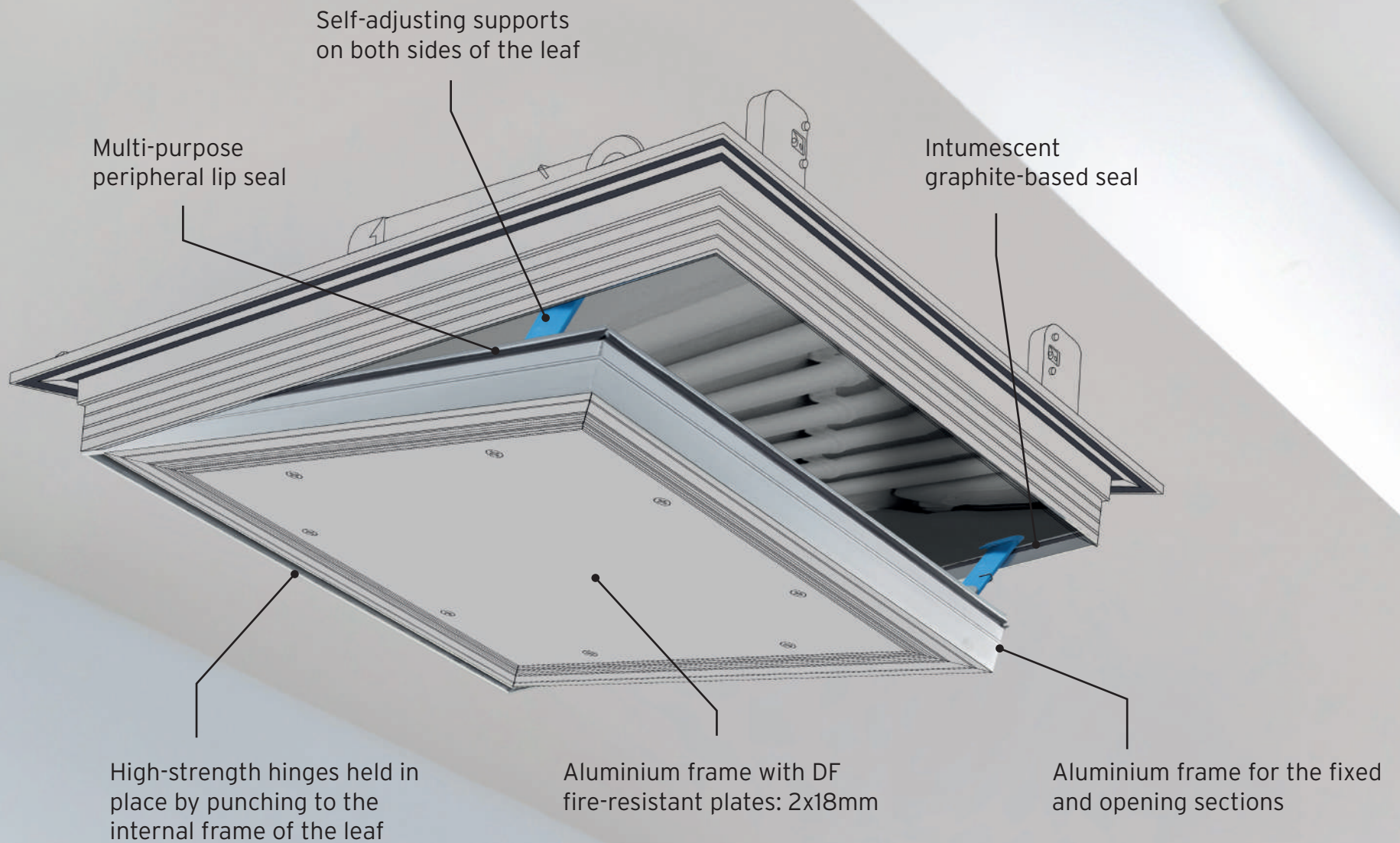
Fire-rated
access
panels

contents

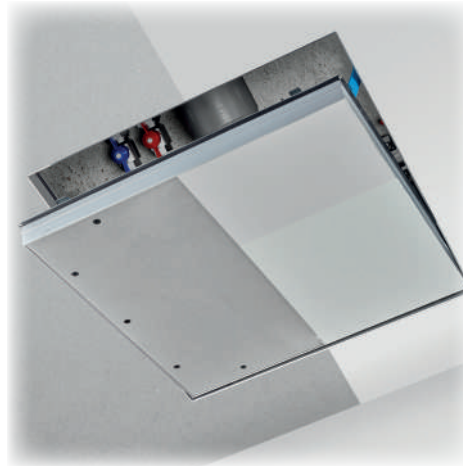
SEMIN NAME	INFO +	CSTB REPORT NUM	SEMIN REF	GENCOD	PROTECTION DIRECTION	PAGE
ALULIGHT F-R CEILING HATCH 30MIN 200x200x25			A09492	3585501094927		8
ALULIGHT F-R CEILING HATCH 30MIN 300x300x25			A09493	3585501094934		8
ALULIGHT F-R CEILING HATCH 30MIN 400x400x25	2 x 12.5 mm Panels	RS-20-054	A09494	3585501094941		8
ALULIGHT F-R CEILING HATCH 30MIN 500x500x25			A09495	3585501094958		8
ALULIGHT F-R CEILING HATCH 30MIN 600x600x25			A09496	3585501094965		8
F-R CEILING HATCH 30MIN 600x800x25			A09506	3585501095061		8
F-R CEILING HATCH 30MIN 600x1200x25			A09507	3585501095078		8
F-R CEILING HATCH 30MIN 300x300x18			A09497	3585501094972		10
F-R CEILING HATCH 30MIN 400x400x18	1 x 18 mm Panel	RS-20-054	A09498	3585501094989		10
F-R CEILING HATCH 30MIN 500x500x18			A09499	3585501094996		10
F-R CEILING HATCH 30MIN 600x600x18			A09500	3585501095009		10
F-R CEILING HATCH 60MIN 300x300x36			A10441	3585501104411		12
F-R CEILING HATCH 60MIN 400x400x36			A10442	3585501104428		12
F-R CEILING HATCH 60MIN 500x500x36	2 x 18 mm Panels	RS-20-054	A10443	3585501104435		12
F-R CEILING HATCH 60MIN 600x600x36			A10444	3585501104442		12
F-R CEILING HATCH 60MIN 800x600x36			A10445	3585501104459		12
F-R CEILING HATCH 60MIN 800x800x36			A10446	3585501104466		12
F-R CEILING HATCH 60MIN 300x300x30			A09517	3585501095177		14
F-R CEILING HATCH 60MIN 400x400x30			A09518	3585501095184		14
F-R CEILING HATCH 60MIN 500x500x30	2 x 15 mm Panels	RS-20-054	A09519	3585501095191		14
F-R CEILING HATCH 60MIN 600x600x30			A09520	3585501095207		14
F-R CEILING HATCH 60MIN 800x600x30			A09521	3585501095214		14
F-R CEILING HATCH 60MIN 800x800x30			A09522	3585501095221		14
F-R CEILING HATCH 90MIN 300x300x40			A09523	3585501095238		16
F-R CEILING HATCH 90MIN 400x400x40	2 x 20 mm Panels	RS-20-054	A09524	3585501095245		16
F-R CEILING HATCH 90MIN 500x500x40			A09525	3585501095252		16
F-R CEILING HATCH 90MIN 600x600x40			A09526	3585501095269		16
F-R CEILING HATCH 120MIN 300x300x50			A10277	3585501102776		18
F-R CEILING HATCH 120MIN 400x400x50			A10278	3585501102783		18
F-R CEILING HATCH 120MIN 500x500x50	2 x 25 mm Panels	RS-19-067	A10279	3585501102790		18
F-R CEILING HATCH 120MIN 600x600x50			A10280	3585501102806		18
F-R CEILING HATCH 120MIN 800x800x50			A10281	3585501102813		18

SEMIN NAME	INFO +	CSTB REPORT NUM	SEMIN REF	GENCOD	PROTECTION DIRECTION	PAGE
F-R ACCESS PANEL 30MIN 300x300x25			A09527	3585501095276		22
F-R ACCESS PANEL 30MIN 400x400x25			A09528	3585501095283		22
F-R ACCESS PANEL 30MIN 500x500x25			A09529	3585501095290		22
F-R ACCESS PANEL 30MIN 500x1000x25			A09530	3585501095306		22
F-R ACCESS PANEL 30MIN 600x600x25	2 plaques de 12.5 mm	RS-20-054	A09531	3585501095313		22
F-R ACCESS PANEL 30MIN 600x800x25			A09532	3585501095320		22
F-R ACCESS PANEL 30MIN 600x1000x25			A09533	3585501095337		22
F-R ACCESS PANEL 30MIN 800x800x25			A09534	3585501095344		22
F-R ACCESS PANEL 30MIN 1000x1000x25			A09535	3585501095351		22
F-R ACCESS PANEL 60MIN 300x300x36	Door for smoke-proof		A09542	3585501095429		24
F-R ACCESS PANEL 60MIN 400x400x36	access panel with 40.1		A09543	3585501095436		24
F-R ACCESS PANEL 60MIN 500x500x36	db acoustic insulation	RS-20-063	A09544	3585501095443		24
F-R ACCESS PANEL 60MIN 600x600x36	coefficient. Can be		A09545	3585501095450		24
F-R ACCESS PANEL 60MIN 600x800x36	installed on a 2x15 and		A10178	3585501101786		24
F-R ACCESS PANEL 60MIN 600x1200x36	2x18 mount.		A09541	3585501095412		24
ALURAPID F-R ACCESS PANEL 90MIN 300x300x40	Advantages:		A10240	3585501102400		26
ALURAPID F-R ACCESS PANEL 90MIN 400x400x40	Possible change of		A10241	3585501102417		26
ALURAPID F-R ACCESS PANEL 90MIN 500x500x40	finish, different from a	RS-19-065	A10242	3585501102424		26
ALURAPID F-R ACCESS PANEL 90MIN 600x600x40	PP. (e.g. wood / metal /		A10243	3585501102431		26
ALURAPID F-R ACCESS PANEL 90MIN 600x800x40	tiling finish, etc.)		A10244	3585501102448		26
ALURAPID F-R ACCESS PANEL 90MIN 600x1000x40	Opens completely.		A10245	3585501102455		26
	Permissible substrate:					
	PP or concrete.					
	Minimum thickness of					
	the partition:					
	40mm.					
SOFTLINE F-R ACCESS PANEL 60MIN/PLAFOND 30MIN 200x200x25	Product identical to		A09536	3585501095368		28
SOFTLINE F-R ACCESS PANEL 60MIN/PLAFOND 30MIN 300x300x25	that of an access panel		A09537	3585501095375		28
SOFTLINE F-R ACCESS PANEL 60MIN/PLAFOND 30MIN 400x400x25	or ceiling installation.	RS-19-067	A09538	3585501095382		28
SOFTLINE F-R ACCESS PANEL 60MIN/PLAFOND 30MIN 500x500x25	Metallic finish.		A09539	3585501095399		28
SOFTLINE F-R ACCESS PANEL 60MIN/PLAFOND 30MIN 600x600x25	Permissible substrate:		A09540	3585501095405		28
	PP or concrete.					
	Minimum thickness of					
	the partition:					
	25mm.					

FIRE-RATED CEILING HATCH

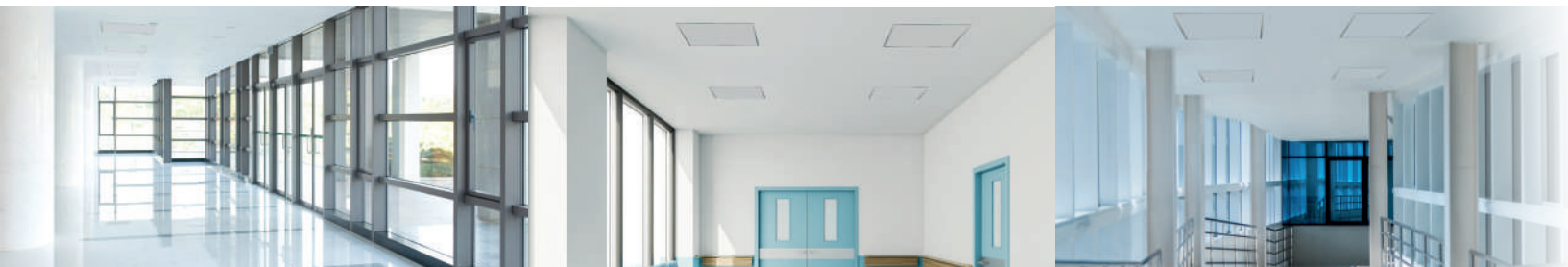


Fire-rated ceiling hatch



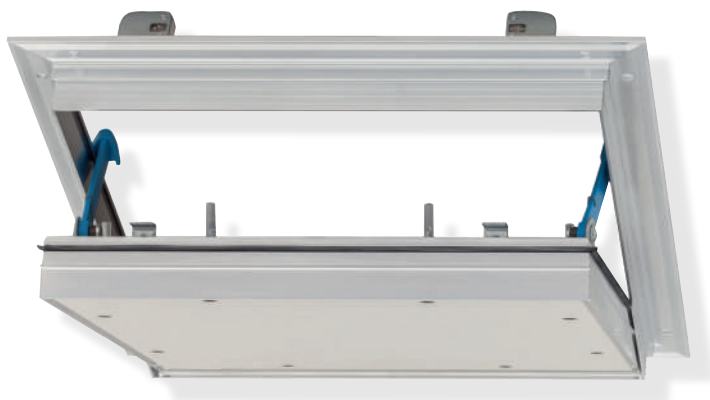
- **F-R CEILING HATCH 30 MIN 25 mm**
(2 x 12.5 mm panels) 39dB* - Push/Release
- **F-R CEILING HATCH 30 MIN 18 mm**
(1 x 18 mm panel) 39dB* - Push/Release
- **F-R CEILING HATCH 60 MIN 36 mm**
(2 x 18mm panels) 40dB* - Push/Release
- **F-R CEILING HATCH 60 MIN 30 mm**
(2 x 15 mm panels) 40dB* - Push/Release
- **F-R CEILING HATCH 90 MIN 40 mm**
(2 x 20 mm panels) 35dB* - Push/Release
- **F-R CEILING HATCH 120 MIN 50 mm**
(2 x 25mm panels) 34dB* - Serrure clé carrée

* Standard Acoustic Insulation Rating according to NF EN ISO 10140



Fire-rated CEILING HATCH 30 MIN - 25 mm

2 x 12.5 mm panels
EI 30 Certificate



**FIRE
REPORT**



**ACOUSTIC
39 dB***



SAFETY



**MADE-TO-
MEASURE**

Category EI30 fire resistance, for mounting in independent fire-resistant sub-ceilings. Tested from below (room side) and coated with **2 x BA13** of GKFI/DFH2 plasterboard (fire-designed)

- High-quality lip seal
- Peripheral intumescent seal protecting against gas, smoke and flames in case of fire
- Hidden latches and safety pin on both sides
- Push/release opening system
- Quick and easy to assemble
- The leaf can be easily removed from the hatch



Report No RS-20-054

Ext. 20-167



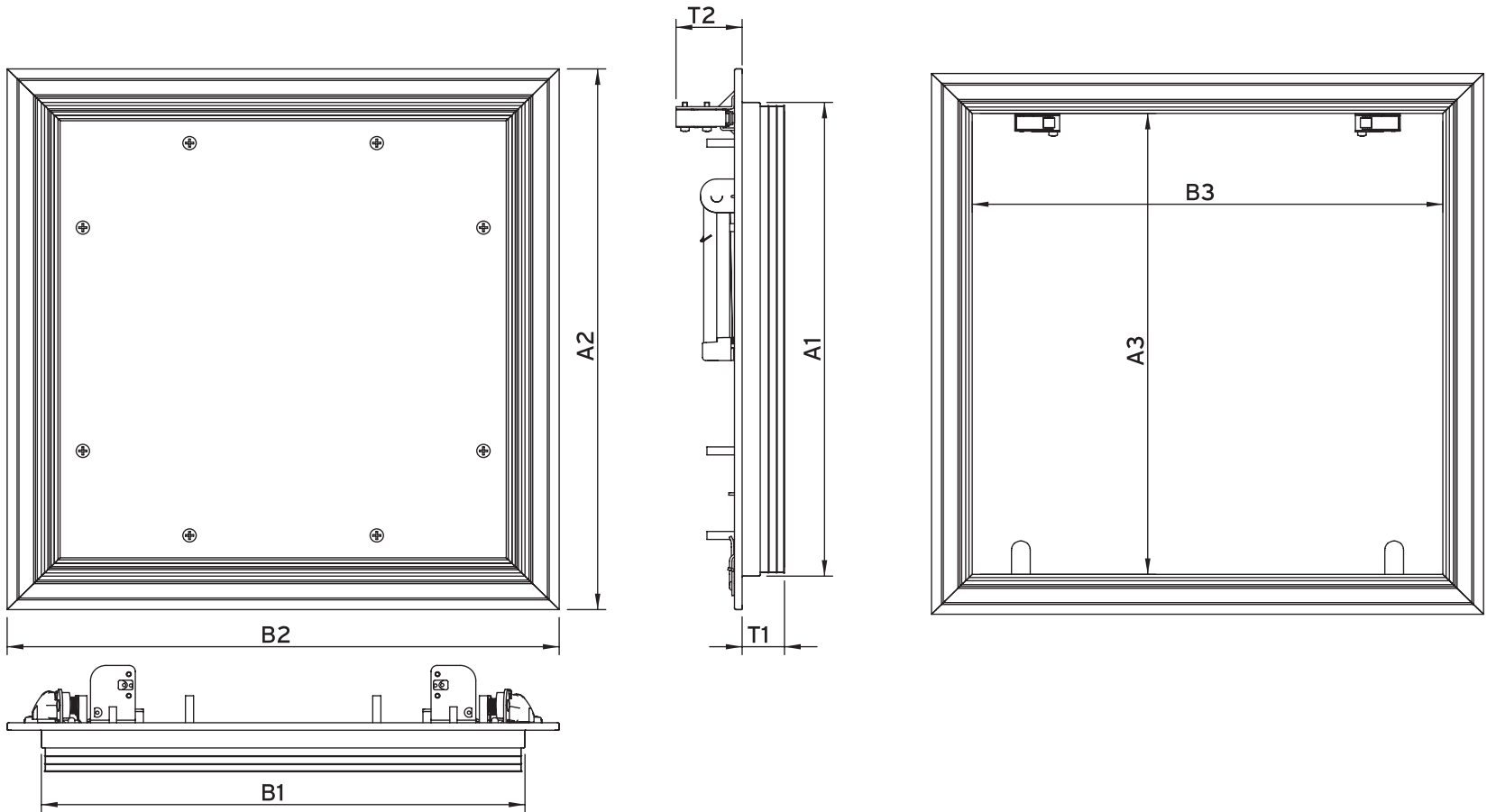
Fire resistance tested from
below (room side)
NF EN 1634-1 : +A1 : 2018

ALULIGHT F-R CEILING HATCH 30MIN 200x200x25
ALULIGHT F-R CEILING HATCH 30MIN 300x300x25
ALULIGHT F-R CEILING HATCH 30MIN 400x400x25
ALULIGHT F-R CEILING HATCH 30MIN 500x500x25
ALULIGHT F-R CEILING HATCH 30MIN 600x600x25
F-R CEILING HATCH 30MIN 600x800x2x12,5
F-R CEILING HATCH 30MIN 600x1200x2x12,5

A09492	3585501094927
A09493	3585501094934
A09494	3585501094941
A09495	3585501094958
A09496	3585501094965
A09506	3585501095061
A09507	3585501095078

*Standardised acoustic insulation index.
NF EN ISO 10140. Tested on a 400x400mm hatch

Mounting and fixing



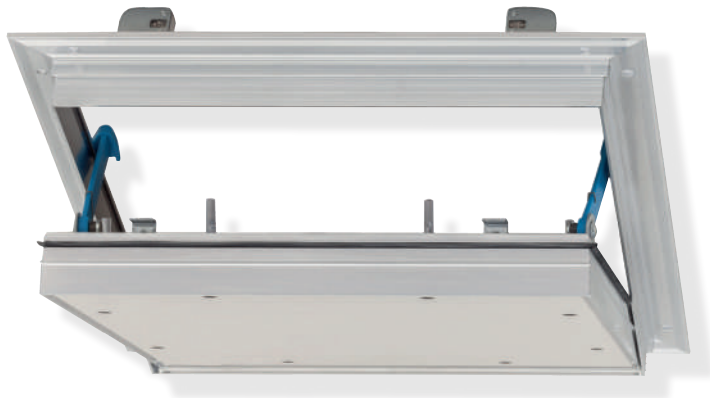
DIMENSIONS (in mm)	MOUNTING DIM. (in mm)	OVERALL DIM. (in mm)	INTERN WIDTH (in mm)	DEPTH (in mm)		REFERENCE
				T1	T2	
A x B (V)	A1 x B1	A2 x B2	A3 x B3	T1	T2	A09493
300 x 300	297 x 297	339 x 339	289 x 289	26	41	

Clearance dimensions : A3 - 32 mm x B3

Cutting dimension: mounting dimension A1 + 5-10 mm x B1 + 5-10 mm

Fire-rated CEILING HATCH 30 MIN - 18 mm

1 x 18 mm Panel
EI 30 Certificate



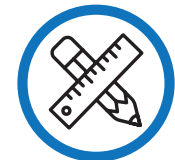
**FIRE
REPORT**



**ACOUSTIC
39 dB***



SAFETY



**MADE-TO-
MEASURE**

Category EI30 fire resistance, for mounting in independent fire-resistant sub-ceilings. Tested from below (room side) and coated with **18 mm** of GKFI/DFH2 plasterboard (fire-designed)

- **Peripheral intumescent seal protecting against gas, smoke and flames in case of fire**
- **Hidden latches and safety pin on both sides**
- **Push/release opening system**
- **Quick and easy to install**
- **The leaf can be easily removed from the hatch**



Report No RS-20-054



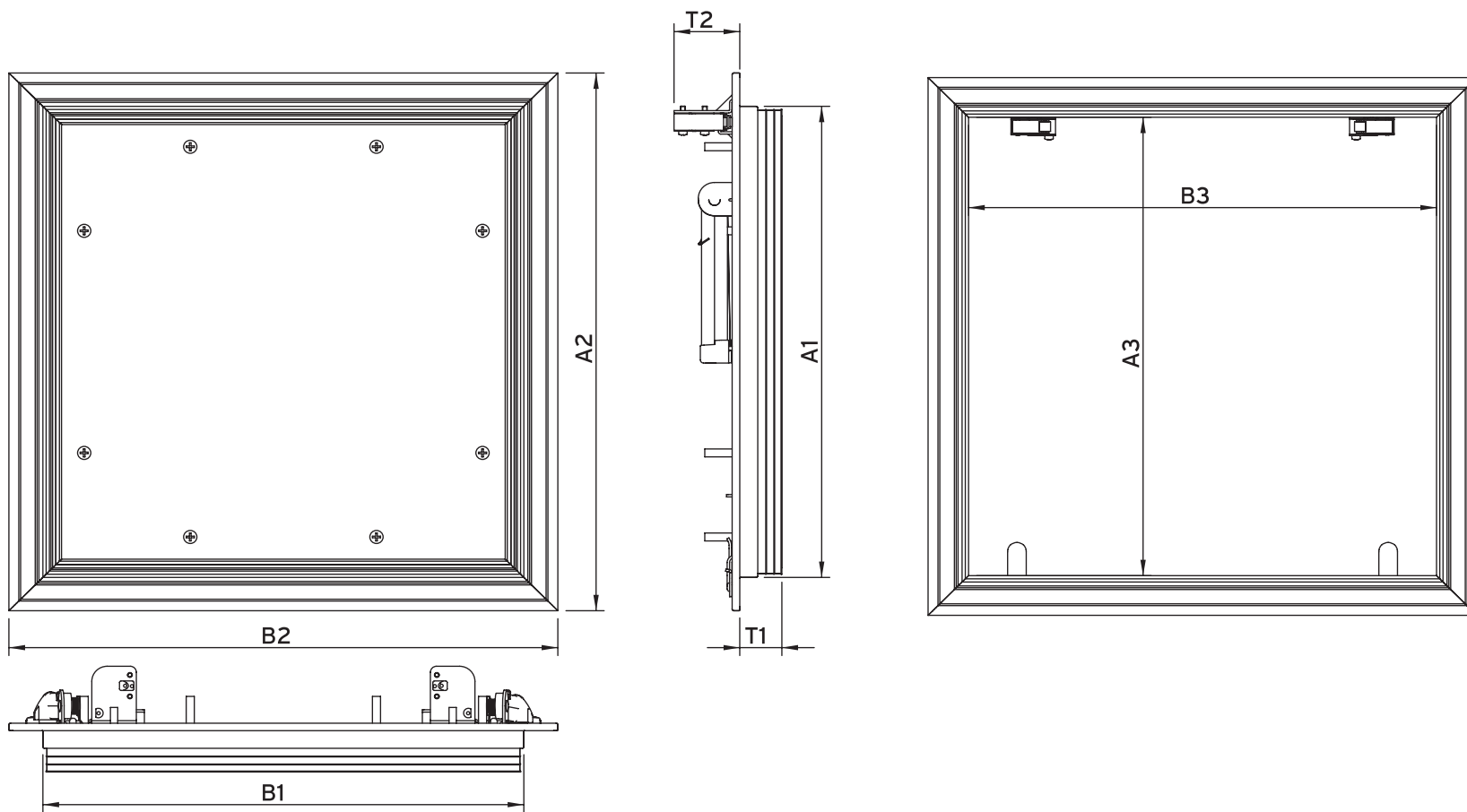
Fire resistance tested from
below (room side)
NF EN 1634-1 : +A1 : 2018

* Standardised acoustic insulation index.
NF EN ISO 10140. Tested on a 400x400mm hatch

F-R CEILING HATCH 30MIN 300x300x18
F-R CEILING HATCH 30MIN 400x400x18
F-R CEILING HATCH 30MIN 500x500x18
F-R CEILING HATCH 30MIN 600x600x18

A09497	3585501094972	stocked
A09498	3585501094989	
A09499	3585501094996	
A09500	3585501095009	

Mounting and fixing



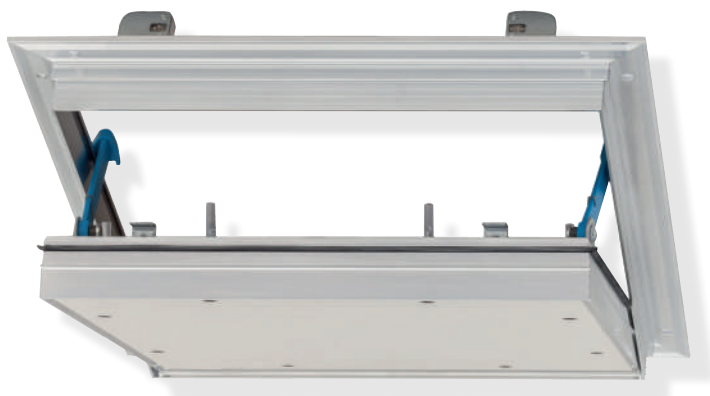
DIMENSIONS (in mm)	MOUNTING DIM. (in mm)	OVERALL DIM. (in mm)	INTERN WIDTH (in mm)	DEPTH (in mm)		REFERENCE
				T1	T2	
A x B (V)	A1 x B1	A2 x B2	A3 x B3	T1	T2	
300 x 300	297 x 297	339 x 339	289 x 289	19	41	A04997

Clearance dimensions : A3 - 32 mm x B3

Cutting dimension: mounting dimension A1 + 5-10 mm x B1 + 5-10 mm

Fire-rated CEILING HATCH 60 MIN - 36 mm

2 x 18 mm panels
EI 60 Certificate



**FIRE
REPORT**



**ACOUSTIC
40 dB***



SAFETY



**MADE-TO-
MEASURE**

Category EI60 fire resistance, for mounting in independent fire-resistant sub-ceilings. Tested from below (room side) with a plaster board coating: **2 x BA18**

- High-quality lip seal
- Peripheral intumescent seal protecting against gas, smoke and flames in case of fire
- With hidden latches and safety pin on both sides
- Quick installation
- The leaf can be easily removed from the hatch
- Push/release opening system



Report No RS-20-054

Ext. 20-169



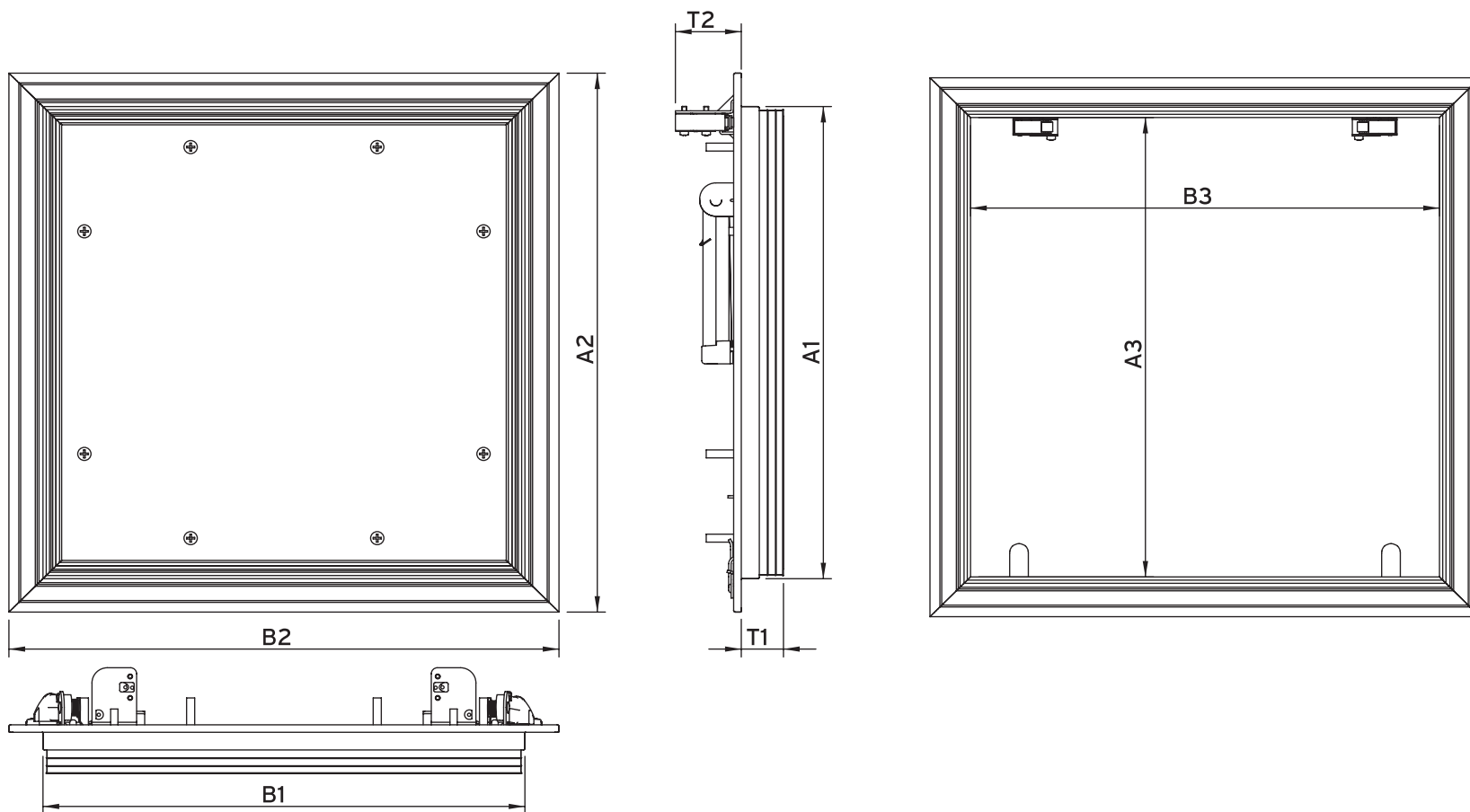
Fire resistance tested from
below (room side)
NF EN 1634-1 : +A1 : 2018

F-R CEILING HATCH 60MIN 300x300x36
F-R CEILING HATCH 60MIN 400x400x36
F-R CEILING HATCH 60MIN 500x500x36
F-R CEILING HATCH 60MIN 600x600x36
F-R CEILING HATCH 60MIN 800x600x36
F-R CEILING HATCH 60MIN 800x800x36

A10441	3585501104411	stocked
A10442	3585501104428	stocked
A10443	3585501104435	stocked
A10444	3585501104442	stocked
A10445	3585501104459	
A10446	3585501104466	

* Standardised acoustic insulation index.
NF EN ISO 10140. Tested on a 400x400 in 2 x 15 mm access panel

Mounting and fixing



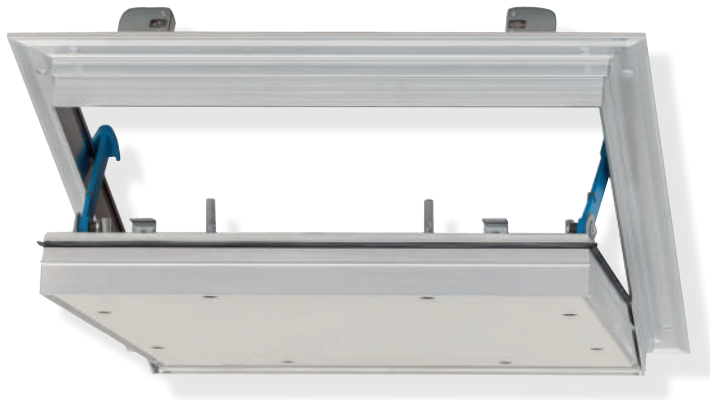
DIMENSIONS (in mm)	MOUNTING DIM. (in mm)	OVERALL DIM. (in mm)	INTERN WIDTH (in mm)	DEPTH (in mm)		REFERENCE
				T1	T2	
A x B (V)	A1 x B1	A2 x B2	A3 x B3	T1	T2	A10441
300 x 300	297 x 297	339 x 339	289 x 289	37,5	41	

Clearance dimensions : A3 - 32 mm x B3

Cutting dimension: mounting dimension A1 + 5-10 mm x B1 + 5-10 mm

Fire-rated CEILING HATCH 60 MIN - 30 mm

2 x 15 mm panels
EI 60 Certificate



**FIRE
REPORT**



**ACOUSTIC
40 dB***



SAFETY



**MADE-TO-
MEASURE**

Category EI60 fire resistance, for mounting in independent fire-resistant sub-ceilings. Tested from below (room side) with a plaster board coating: **2 x BA15** GKFI/DFH2 (fire designed)

- High-quality lip seal
- Peripheral intumescent seal protecting against gas, smoke and flames in case of fire
- With hidden latches and safety pin on both sides
- Quick installation
- The leaf can be easily removed from the hatch
- Push/release opening system



Report No RS-20-054



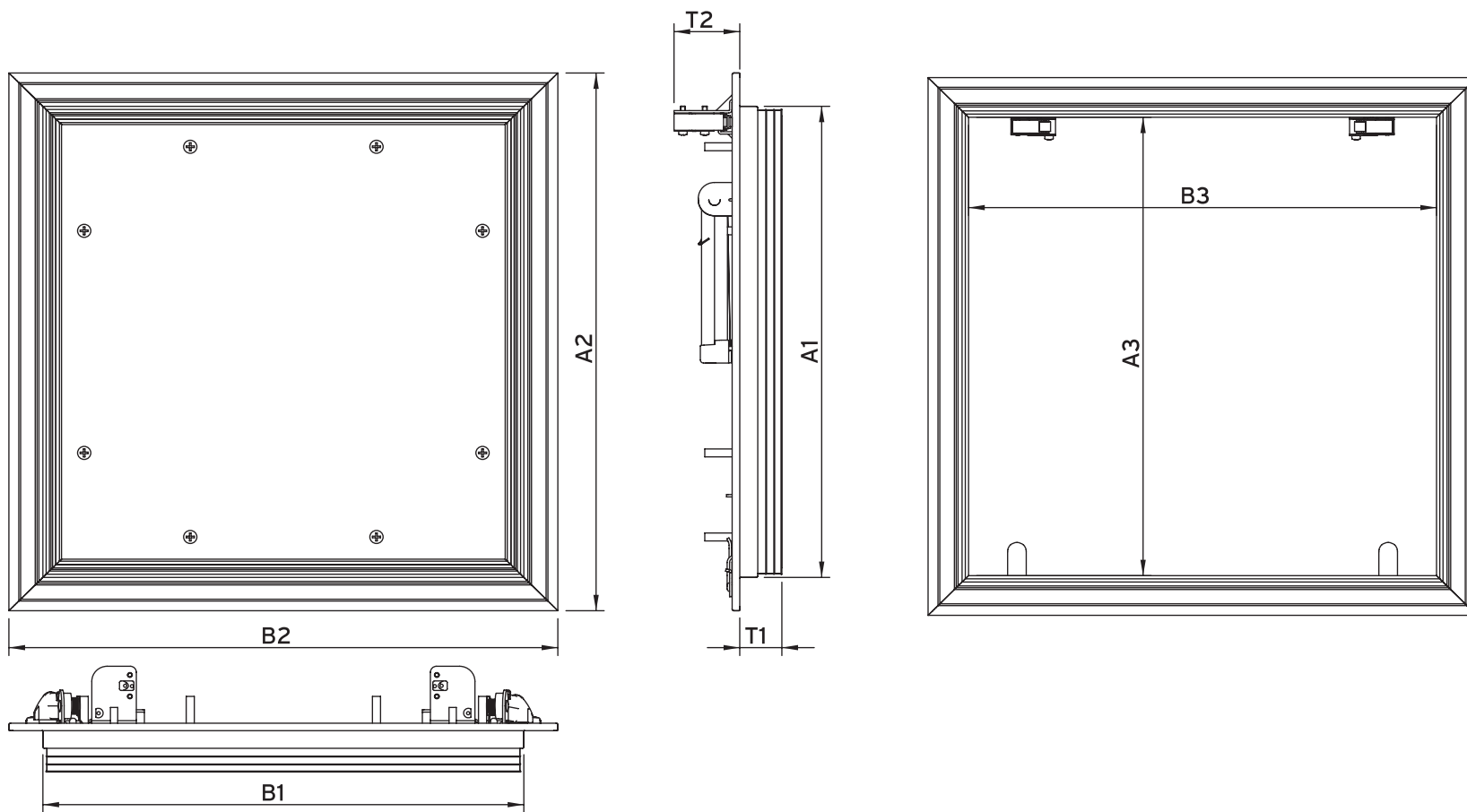
Fire resistance tested from
below (room side)
NF EN 1634-1 : +A1 : 2018

F-R CEILING HATCH 60MIN 300x300x30
F-R CEILING HATCH 60MIN 400x400x30
F-R CEILING HATCH 60MIN 500x500x30
F-R CEILING HATCH 60MIN 600x600x30
F-R CEILING HATCH 60MIN 800x600x30
F-R CEILING HATCH 60MIN 800x800x30

A09517	3585501095177
A09518	3585501095184
A09519	3585501095191
A09520	3585501095207
A09521	3585501095214
A09522	3585501095221

* Standardised acoustic insulation index.
NF EN ISO 10140. Tested on a 400x400mm hatch

Mounting and fixing



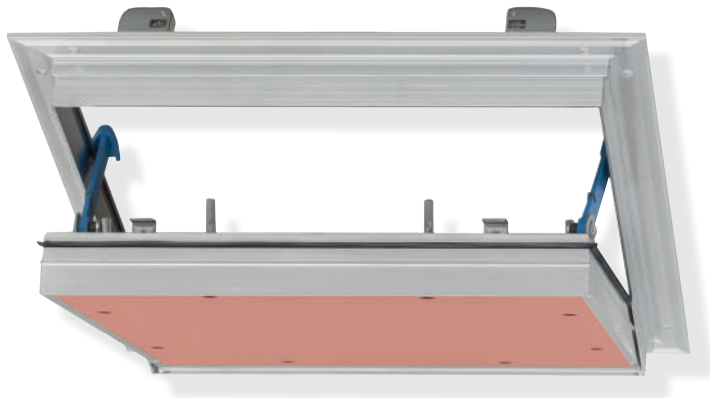
DIMENSIONS (in mm)	MOUNTING DIM. (in mm)	OVERALL DIM. (in mm)	INTERN WIDTH (in mm)	DEPTH (in mm)		REFERENCE
				T1	T2	
A x B (V)	A1 x B1	A2 x B2	A3 x B3	T1	T2	A09517
300 x 300	297 x 297	339 x 339	289 x 289	31,5	41	

Clearance dimensions : A3 - 32 mm x B3

Cutting dimension: mounting dimension A1 + 5-10 mm x B1 + 5-10 mm

Fire-rated CEILING HATCH 90 MIN - 40 mm

2 x 20mm panels
EI 90 Certificate



**FIRE
REPORT**



**ACOUSTIC
35 dB***



SAFETY



**MADE-TO-
MEASURE**

Category EI90 fire resistance, for mounting in independent fire-resistant sub-ceilings. Tested from below (room side) coated with **2 x BA20** of GKFI/DFH2 plasterboard (fire-designed)

- High-quality lip seal
- Peripheral intumescent seal protecting against gas, smoke and flames in case of fire
- With hidden latches and safety pin on both sides
- Quick installation
- The leaf can be easily removed from the hatch
- Push/release opening system
- RED Plasterboard



Report No RS-20-054



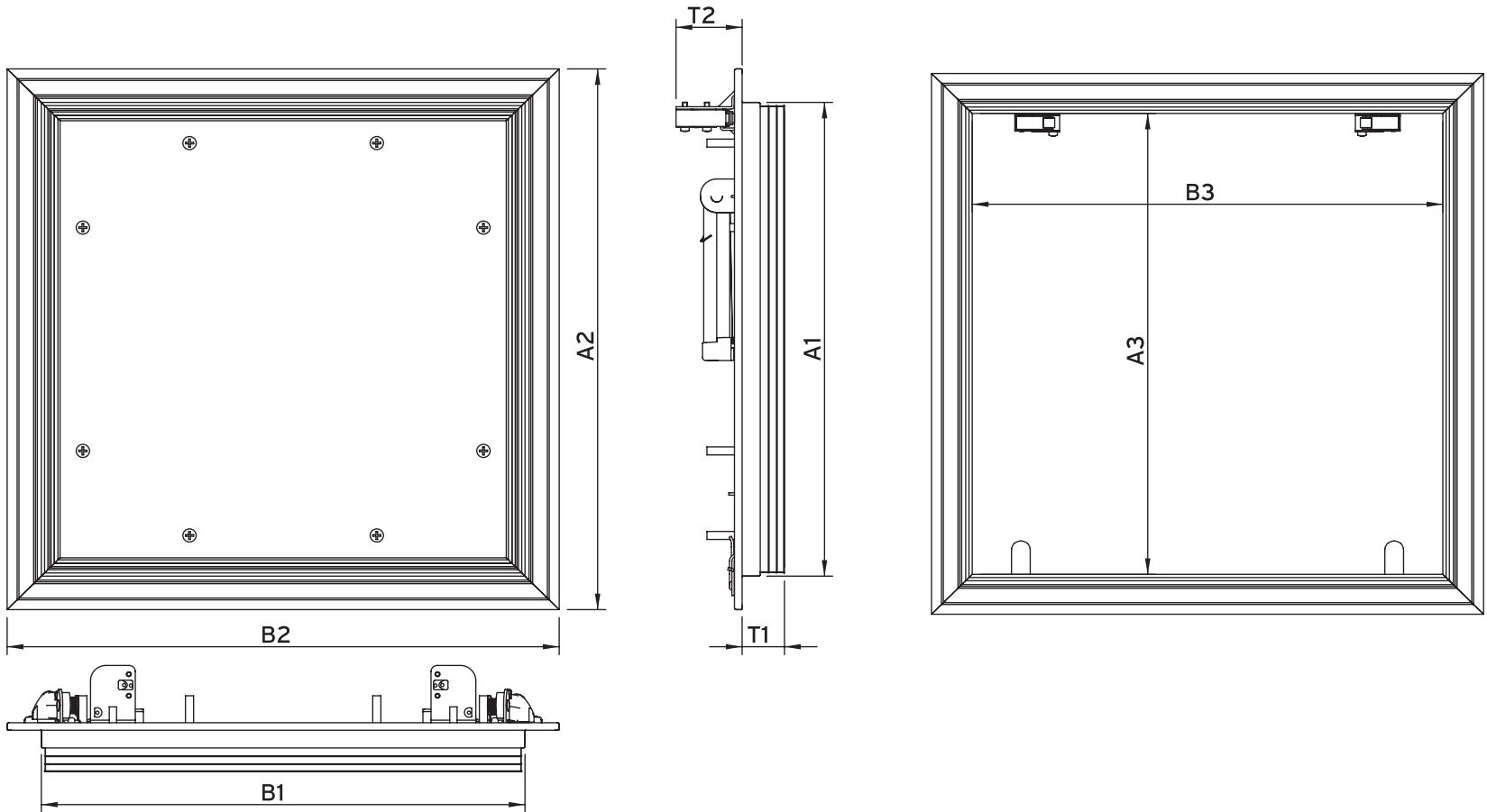
Fire resistance tested from
below (room side)
NF EN 1634-1 : +A1 : 2018

F-R CEILING HATCH 90MIN 300x300x40
F-R CEILING HATCH 90MIN 400x400x40
F-R CEILING HATCH 90MIN 500x500x40
F-R CEILING HATCH 90MIN 600x600x40

A09523	3585501095238	
A09524	3585501095245	stocked
A09525	3585501095252	
A09526	3585501095269	stocked

* Standardised acoustic insulation index.
NF EN ISO 10140. Tested on a 400x400mm hatch

Mounting and fixing



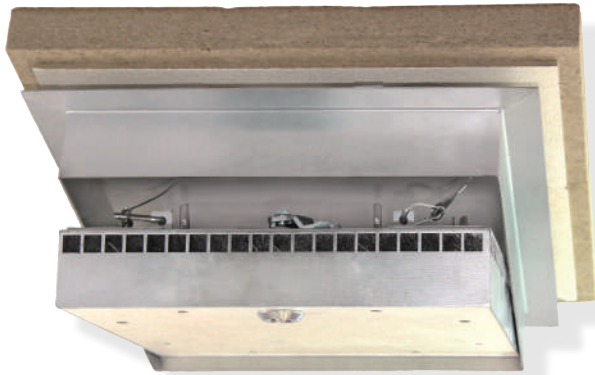
DIMENSIONS (in mm)	MOUNTING DIM. (in mm)	OVERALL DIM. (in mm)	INTERN WIDTH (in mm)	DEPTH (in mm)		REFERENCE
				T1	T2	
A x B (V)	A1 x B1	A2 x B2	A3 x B3	T1	T2	
300 x 300	301 x 301	343 x 343	292 x 292	41,5	41	A09523

Clearance dimensions : A3 - 32 mm x B3

Cutting dimension: mounting dimension A1 + 5-10 mm x B1 + 5-10 mm

Fire-rated CEILING HATCH 120 MIN - 50 mm

2 x 25 mm panels
EI 120 Certificate



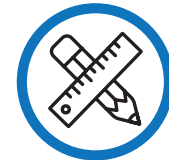
**FIRE
REPORT**



**ACOUSTIC
34 dB***



SAFETY



**MADE-TO-
MEASURE**

Category EI 120 fire resistance, for mounting in independent fire-resistant ventilated sub-ceilings and coated with **2 x BA 25** mm of DF/ GKF plasterboard (fire-designed)

- Lockable with square lock
- Flush mounting with plasterboard ceiling
- Folding removable cover



Report No RS-19-067

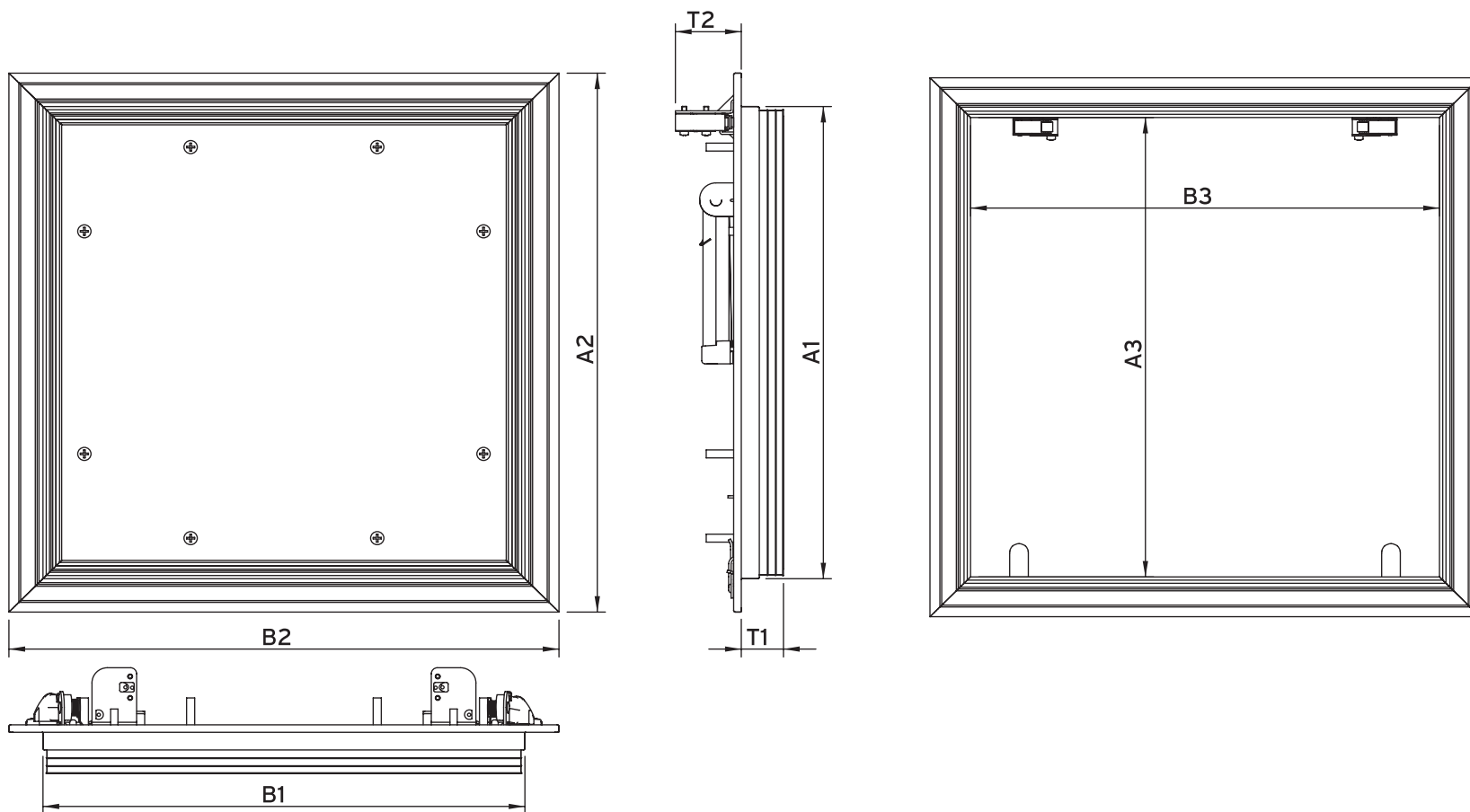


Fire resistance tested from
below (room side)
NF EN 1634-1 : +A1 : 2018

F-R CEILING HATCH 120MIN 300x300x50
F-R CEILING HATCH 120MIN 400x400x50
F-R CEILING HATCH 120MIN 500x500x50
F-R CEILING HATCH 120MIN 600x600x50
F-R CEILING HATCH 120MIN 800x800x50

A10277	3585501102776	
A10278	3585501102783	stocked
A10279	3585501102790	
A10280	3585501102806	stocked
A10281	3585501102813	

Mounting and fixing



DIMENSIONS (in mm)	MOUNTING DIM. (in mm)	OVERALL DIM. (in mm)	INTERN WIDTH (in mm)	DEPTH (in mm)		REFERENCE
				T1	T2	
A x B (V)	A1 x B1	A2 x B2	A3 x B3	T1	T2	
300 x 300	301 x 301	354 x 354	287 x 287	51,5	20	A010277

Clearance dimensions : A3 - 32 mm x B3

Cutting dimension: mounting dimension A1 + 5-10 mm x B1 + 5-10 mm

Access panel inspection hatches

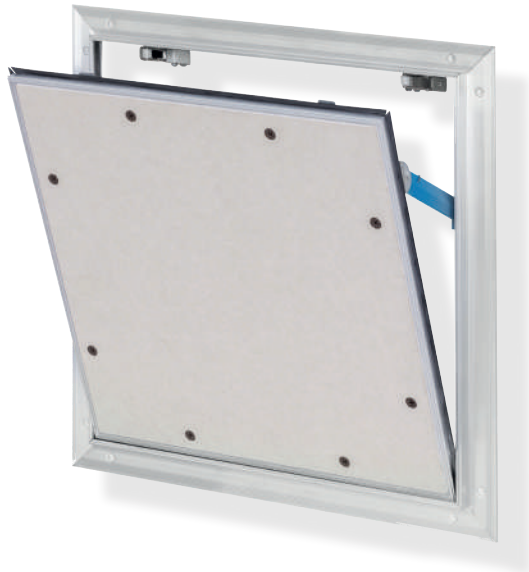


- **Fire-rated access panel 30 MIN 25 mm**
(2 plaques de 12.5 mm)
- **Fire-rated access panel 60 MIN**
porte
- **ALURAPID F-R access PANELcloison 90 MIN**
- **SOFTLINE F-R ACCESS PANEL 60 MIN / plafond 30 MIN**



Fire-rated ACCESS PANEL 30 MIN - 25 mm

2 x 12.5 mm panels
EI 30 Certificate



**FIRE
REPORT**



**ACOUSTIC
40 dB***



SAFETY



**MADE-TO-
MEASURE**

Category EI30 fire resistance, for mounting in a fire-resistant wall cavity. Tested from both sides and coated with **2 x BA13** of GKFI/DFH2 plasterboard (fire-designed)

- High-quality lip seal
- Peripheral intumescent seal protecting against gas, smoke and flames in case of fire
- Hidden latches and safety pin on both sides
- Quick and easy to install
- The leaf can be easily removed from the hatch



Report No RS-20-054



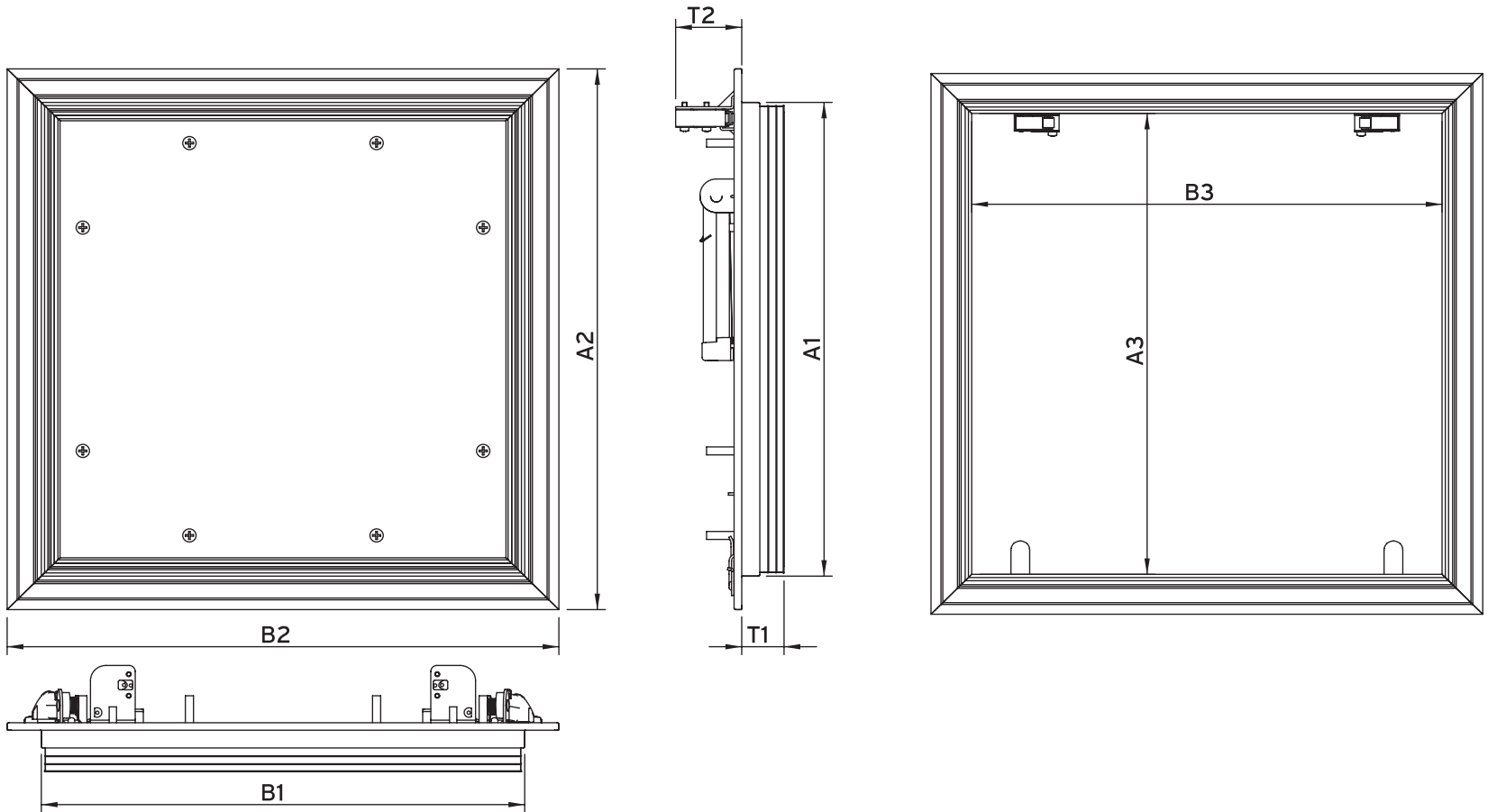
Fire resistant on both duct
side and room side
NF EN 1634-1 : +A1 : 2018

* Standardised acoustic insulation index.
NF EN ISO 10140. Tested on a 400x400mm hatch

F-R ACCESS PANEL 30MIN 300x300x25
F-R ACCESS PANEL 30MIN 400x400x25
F-R ACCESS PANEL 30MIN 500x500x25
F-R ACCESS PANEL 30MIN 500x1000x25
F-R ACCESS PANEL 30MIN 600x600x25
F-R ACCESS PANEL 30MIN 600x800x25
F-R ACCESS PANEL 30MIN 600x1000x25
F-R ACCESS PANEL 30MIN 800x800x25
F-R ACCESS PANEL 30MIN 1000x1000x25

A09527	3585501095276	stocked
A09528	3585501095283	stocked
A09529	3585501095290	
A09530	3585501095306	
A09531	3585501095313	
A09532	3585501095320	
A09533	3585501095337	
A09534	3585501095344	
A09535	3585501095351	

Mounting and fixing



DIMENSIONS (in mm)	MOUNTING DIM. (in mm)	OVERALL DIM. (in mm)	INTERN WIDTH (in mm)	DEPTH (in mm)		REFERENCE
				T1	T2	
A x B (V)	A1 x B1	A2 x B2	A3 x B3	T1	T2	A09527
300 x 300	301 x 301	339 x 339	289 x 289	26	41	

Clearance dimensions : A3 - 32 mm x B3

Cutting dimension: mounting dimension A1 + 5-10 mm x B1 + 5-10 mm

Fire-rated ACCESS PANEL 60 MIN - 36mm

REMOVABLE DOOR



**FIRE
REPORT**



**ACOUSTIC
48 dB***



SAFETY



**MADE-TO-
MEASURE**

Door with square lock for installation in duct walls and service ducts.

- **Smoke-resistant**
- **The leaf ensures simple wall mounting**
- **Variable installation regardless of the wall thickness: 30 or 36 mm wall, or 2x15 and 2x18 supports.**
- **Removable door leaf for wall mounting**
- **No visible screws**
- **Plasterboard finish**



Report No RS-20-063



i **Controlled product**

Fire tested on both duct
side and room side
according to
DIN EN 16341

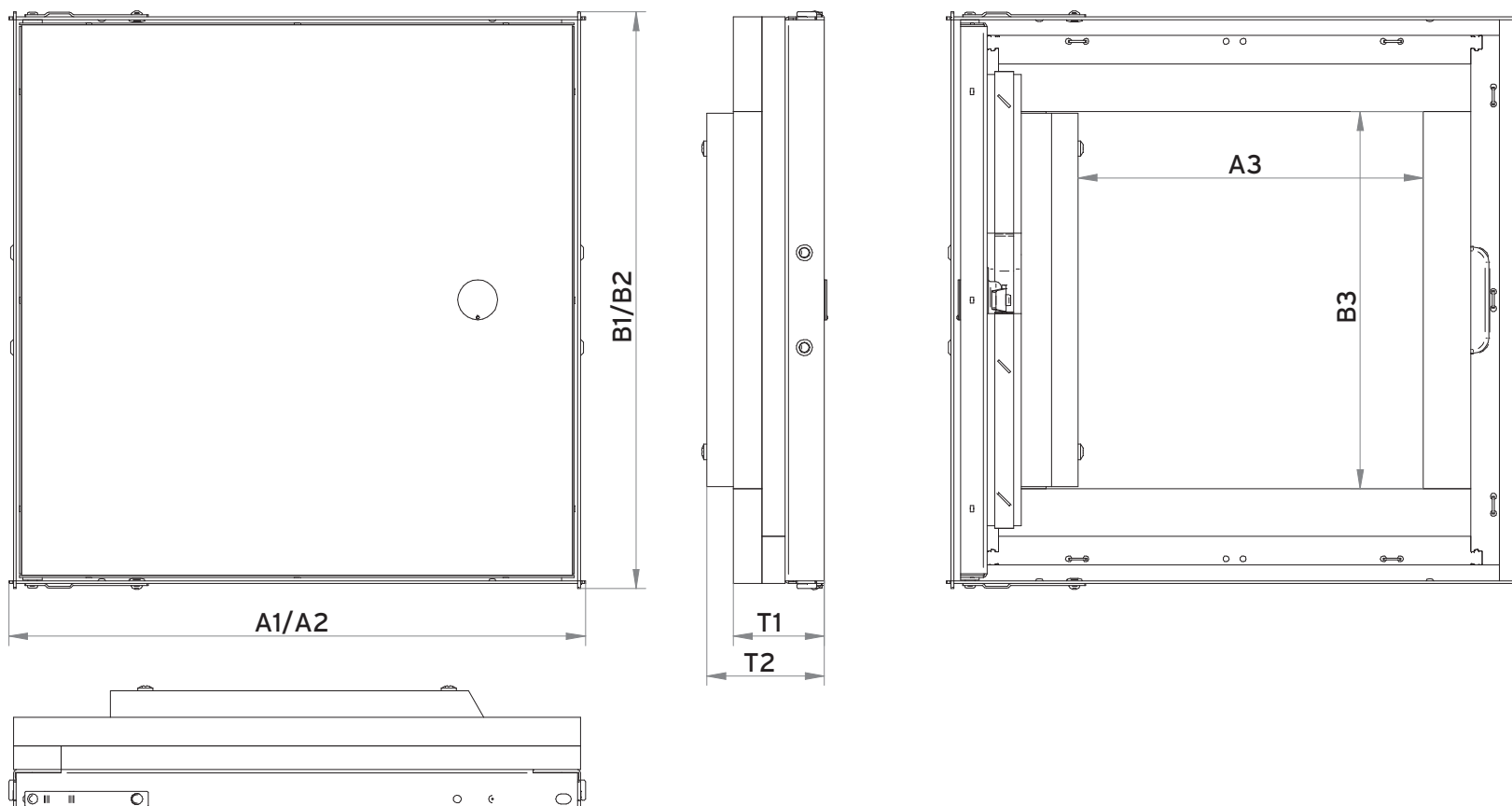
* Standardised acoustic insulation index.
NF EN ISO 10140. Tested on a 400x400mm hatch

F-R ACCESS PANEL 60MIN 300x300x36
F-R ACCESS PANEL 60MIN 400x400x36
F-R ACCESS PANEL 60MIN 500x500x36
F-R ACCESS PANEL 60MIN 600x600x36
F-R ACCESS PANEL 60MIN 600x800x36
F-R ACCESS PANEL 60MIN 600x1200x36

A09542	3585501095429	stocked
A09543	3585501095436	stocked
A09544	3585501095443	
A09545	3585501095450	stocked
A10178	3585501101786	
A09541	3585501095412	

Mounting and fixing

Open door leaf illustration



DIMENSIONS (in mm)	MOUNTING DIM. (in mm)	OVERALL DIM. (in mm)	INTERN WIDTH (in mm)	DEPTH (in mm)		REFERENCE
				T1	T2	
A x B (V)	A1 x B1	A2 x B2	A3 x B3	T1	T2	A09542
300 x 300	304 x 304	304 x 304	180 x 200	48	62	

Access dimensions = A3 x B3

Wall aperture dimensions = mounting dimensions (A1+5 mm) x (B1+5 mm)

SOFTLINE fire-rated ACCESS PANEL 60 min / ceiling 30 min- 25 mm

EI 30 & EI 60 Certificate



**FIRE
REPORT**



**ACOUSTIC
38,1 dB***



SAFETY



**MADE-TO-
MEASURE**

Fire resistance category EI30 - EI60, for mounting on ceilings and in service ducts / partition walls. Can be installed in a partition or a ceiling

- Non-removable door leaf
- Built-in on left or right side
- Quick and easy installation in walls or ceilings
- Door leaf with fire protection
- Metallic finish
- Closes with a square key lock
- Acceptable substrates: plaster board or concrete
- Minimum thickness of the partition: 25 mm



Report No RS-19-066



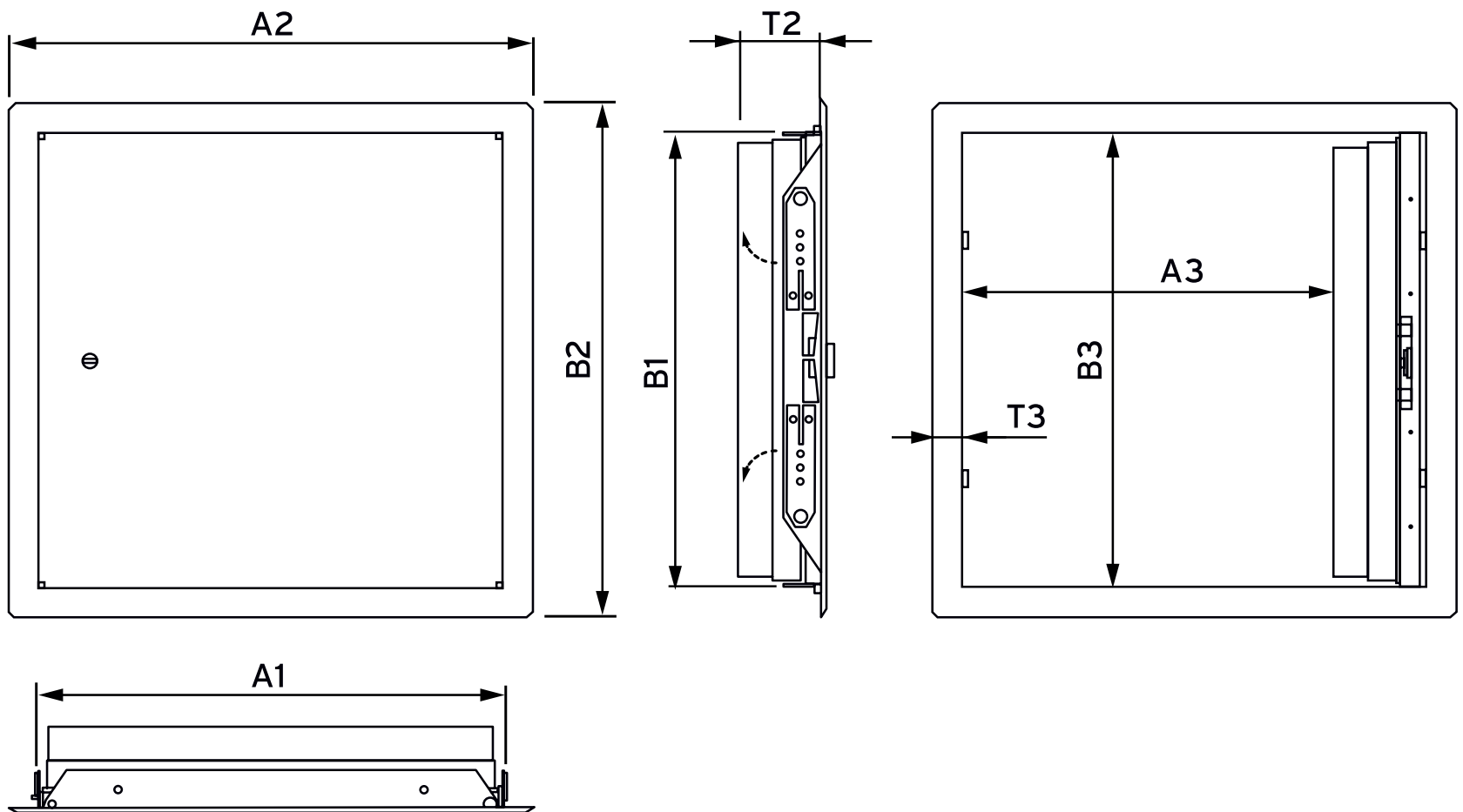
**FLAMMABILITY TESTED
FRONT AND REAR
PANELS**

* Standardised acoustic insulation index.
NF EN ISO 10140. Tested on a 400x400mm hatch

SOFTLINE F-R ACCESS PANEL 60MIN/PLAFOND 30MIN 200x200x25
SOFTLINE F-R ACCESS PANEL 60MIN/PLAFOND 30MIN 300x300x25
SOFTLINE F-R ACCESS PANEL 60MIN/PLAFOND 30MIN 400x400x25
SOFTLINE F-R ACCESS PANEL 60MIN/PLAFOND 30MIN 500x500x25
SOFTLINE F-R ACCESS PANEL 60MIN/PLAFOND 30MIN 600x600x25

A09536	3585501095368
A09537	3585501095375
A09538	3585501095382
A09539	3585501095399
A09540	3585501095405

Mounting and fixing

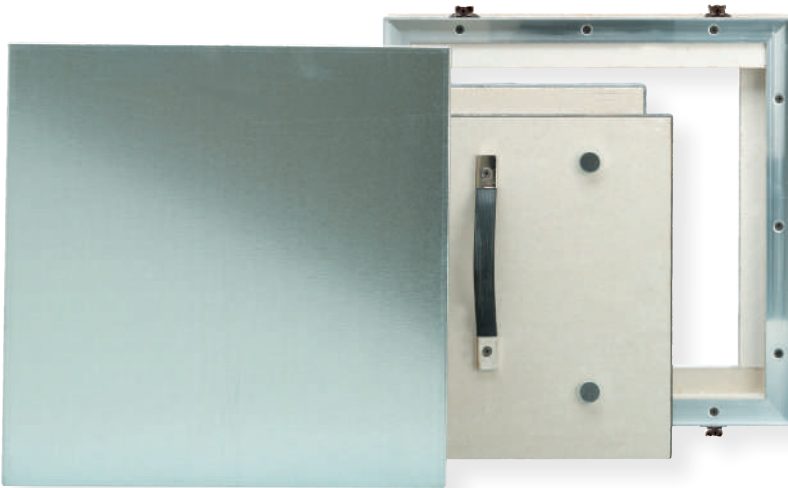


DIMENSIONS (in mm)	MOUNTING DIM. (in mm)	OVERALL DIM. (in mm)	INTERN WIDTH (in mm)	DEPTH (in mm)		REFERENCE
				T1	T2	
A x B (V)	A1 x B1	A2 x B2	A3 x B3	T1	T2	
200 x 200	200 x 200	235 x 235	135 x 195	53	20	A09536

Clearance dimensions : $A_3 - 15 \text{ mm}$ (à partir de la taille 500×500) x B_3
 Aperture dimension = Installation dimension $A_1 + 5 \text{ mm}$ x B_1

ALURAPID fire-rated ACCESS PANEL 90 min- 40 mm

EI 90 Certificate



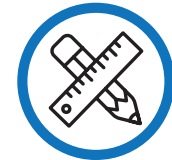
**FIRE
REPORT**



**ACOUSTIC
30,8 dB***



SAFETY



**MADE-TO-
MEASURE**

Fire resistance category EI90, for installation in non-load-bearing metal structure walls demarcating a space. Used as wall cladding/liners under fire resistance category EI90, and in load-bearing and non-load-bearing solid walls under fire resistance category EI90.

- **1 inspection hatch = several options for the visible surface: tiling, plasterboard, metal, wood**
- **Fire-resistant access panel with handle for ease of use**
- **Patented mounting claws for quick and easy installation by a single installer**
- **Full opening**
- **Acceptable substrate: plaster board or concrete**
- **Minimum thickness of the partition: 40 mm**



Report No RS-19-065



EI90 (I<->o)

ALURAPID F-R ACCESS PANEL 90MIN 300x300x40
 ALURAPID F-R ACCESS PANEL 90MIN 400x400x40
 ALURAPID F-R ACCESS PANEL 90MIN 500x500x40
 ALURAPID F-R ACCESS PANEL 90MIN 600x600x40
 ALURAPID F-R ACCESS PANEL 90MIN 600x800x40
 ALURAPID F-R ACCESS PANEL 90MIN 600x1000x40

A10240	3585501102400
A10241	3585501102417
A10242	3585501102424
A10243	3585501102431
A10244	3585501102448
A10245	3585501102455

A10353 - fire-rated HATCH DISPLAY

HEIGHT :
2216.5 mm

DEPTH :
680 mm

WIDTH :
980 mm



COMPOSITION

QTTY	REF.	EAN	ITEM	FORMAT (mm)	
1	2	A09527	3585501095276	Fire-rated ACCESS panel 30 minutes	300x300
2	2	A09542	3585501095429	Fire-rated ACCESS panel 60 Minutes	300x300
3	2	A09528	3585501095283	Fire-rated ACCESS panel 30 Minutes	400x400
4	4	A10442	3585501104428	Fire-rated CEILING hatch 60 minutes	400x400
5	2	A09543	3585501095436	Fire-rated ACCESS panel 60 Minutes	400x400
6	1	A09498	3585501094989	Fire-rated CEILING hatch 30 Minutes	400x400
7	4	A10444	3585501104442	Fire-rated CEILING hatch 60 Minutes	600x600
8	1	A09545	3585501095450	Fire-rated ACCESS panel 60 Minutes	600x600



All our access panels come with a Fire report delivered by CSTB



They enable acoustic improvement



They can be installed in complete safety



They can be custom made (size, aperture direction, etc.)

SEMIN
semin.com



SEMIN
semin.com

